

ANTI-CONDENSATION HEATERS

"H" series ventilated

HVPS200THP-230

ventilated heaters thermally protected plastic cov

> CONTACT US



Fandis PTC heaters are used for warming up the air inside enclosure, protecting electrical and electronic components from condensation and corrosion. These H series PTC heaters with built-in fan ensure quick distribution of heat and are available in two versions: in metal or plastic, with low surface thermal conductivity to keep safe maintenance operations.

Technical data		
APPROVALS		
Approvals	CE; UKCA	
PERFORMANCE		
Heating Power	200	W
ELECTRICAL DATA		
Rated Voltage	230	V a.c.
Operating Voltage	150-250	V a.c.
Frequency	50/60	Hz
Max Current	3.7	A
Appliance Class	I	
GENERIC DATA		
Casing Material	Black PET UL94 V-0	
Electrical Connection	Terminal Block	
Wires Section	1-2.5	mm ²
Wires Section	20-16	AWG
Fixing System	DIN rail	
ENVIRONMENTAL AND THERMAL DATA		
IP Protection Degree	IP20	
Operating Temperature	-10÷40	°C
	14÷104	°F
Storage Temperature	-40÷70	°C
	-40÷158	°F

Image is for illustrative purpose only. All specifications, data and drawing are subject to change without notice. Please refer to our terms of sales including our warranty and limited liabilities clauses.

ANTI-CONDENSATION HEATERS

"H" series ventilated

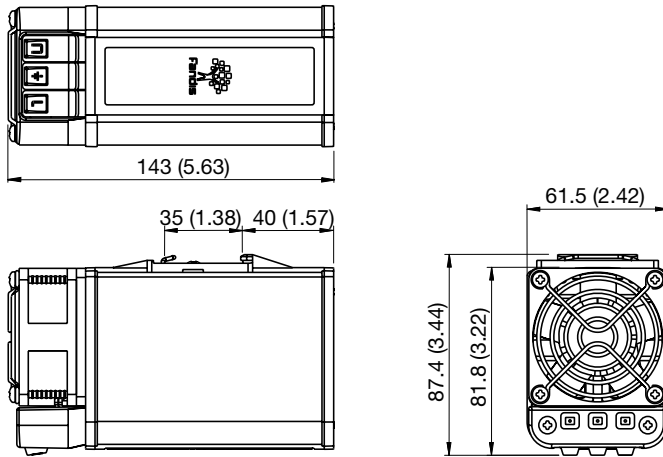
HVPS200THP-230

ventilated heaters thermally protected plastic cov

> CONTACT US

CLIMATE CONTROL SYSTEMS

Technical drawing mm (in)



Power-Temperature

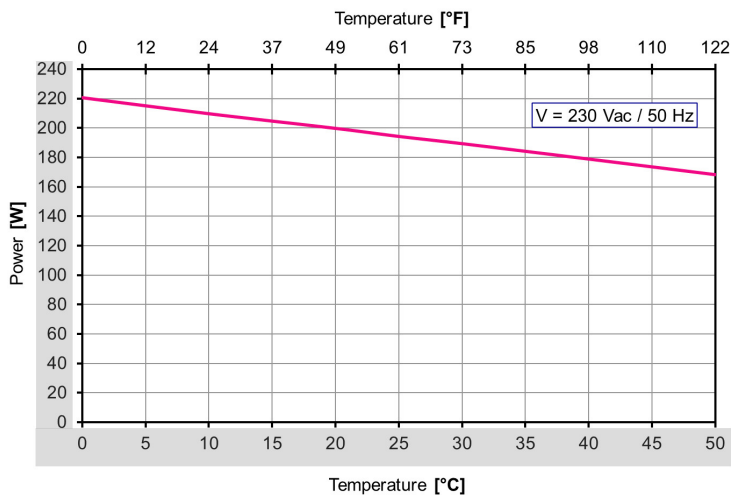


Image is for illustrative purpose only. All specifications, data and drawing are subject to change without notice. Please refer to our terms of sales including our warranty and limited liabilities clauses.