

# ANTI-CONDENSATION HEATERS

## "H" series ventilated

HVMS200THP-230

ventilated heaters thermally protected metal cover

> CONTACT US



Fandis PTC heaters are used for warming up the air inside enclosure, protecting electrical and electronic components from condensation and corrosion. These H series PTC heaters with built-in fan ensure quick distribution of heat and are available in two versions: in metal or plastic, with low surface thermal conductivity to keep safe maintenance operations.

Technical data		
<b>APPROVALS</b>		
Approvals	CE; UKCA	
<b>PERFORMANCE</b>		
Heating Power	200	W
<b>ELECTRICAL DATA</b>		
Rated Voltage	230	V a.c.
Operating Voltage	150-250	V a.c.
Frequency	50/60	Hz
Max Current	3.7	A
Appliance Class	I	
<b>GENERIC DATA</b>		
Casing Material	Black Anodised Aluminium	
Electrical Connection	Terminal Block	
Wires Section	1-2.5	mm <sup>2</sup>
Wires Section	20-16	AWG
Fixing System	DIN rail	
<b>ENVIRONMENTAL AND THERMAL DATA</b>		
IP Protection Degree	IP20	
Operating Temperature	-10÷40	°C
	14÷104	°F
Storage Temperature	-40÷70	°C
	-40÷158	°F

Image is for illustrative purpose only. All specifications, data and drawing are subject to change without notice. Please refer to our terms of sales including our warranty and limited liabilities clauses.

# ANTI-CONDENSATION HEATERS

## "H" series ventilated

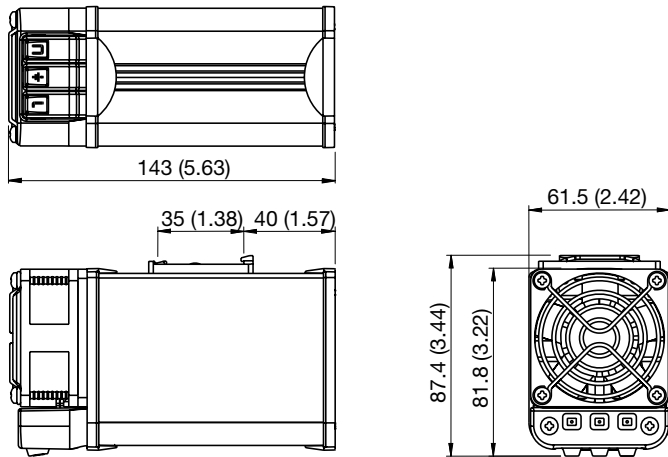
HVMS200THP-230

ventilated heaters thermally protected metal cover

> CONTACT US

CLIMATE CONTROL SYSTEMS

Technical drawing mm (in)



Power-Temperature

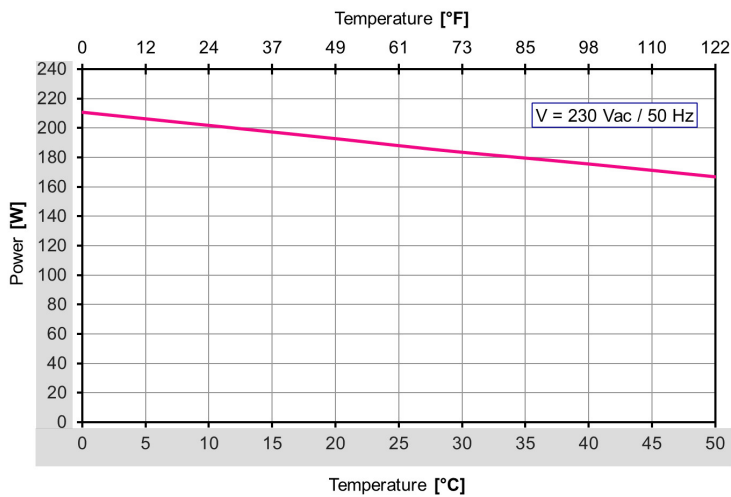


Image is for illustrative purpose only. All specifications, data and drawing are subject to change without notice. Please refer to our terms of sales including our warranty and limited liabilities clauses.