



Axial fans provide forced-air cooling solution to temperature-sensitive applications. Compact fans with AC shaded pole or capacitor and DC brushless motor are designed for ventilation and spot cooling of internal machinery components, especially in areas in confined spaces. Available also versions tested to withstand harsh environmental conditions (IP55, IP68, all metal and HTR fans).

Technical data		
APPROVALS		
Approvals	CE; UKCA	
PERFORMANCE		
Max Airflow	41/51 24/30	m <sup>3</sup> /h CFM
Max Static Pressure	40/55 0.16/0.22	Pa in H <sub>2</sub> O
RPM	2500/3000	RPM
ELECTRICAL DATA		
Rated Voltage	115	V a.c.
Rated Current	0.14/0.12	A
Rated Power	14/12	W
Operating Voltage	103-126	V a.c.
Frequency	50/60	Hz
Appliance Class	I	
Insulation Class	B	
Motor Protection	Impedance Protected	
MECHANICAL DATA		
Bearing	Ball Bearing	
GENERIC DATA		
Casing Material	Die-Casting Aluminium	
Airflow Direction	Air exhaust over brackets	

Image is for illustrative purpose only. All specifications, data and drawing are subject to change without notice. Please refer to our terms of sales including our warranty and limited liabilities clauses.

A08B12HWBFF0

IP55 AC fans

> CONTACT US

VENTILATION SYSTEMS

Technical data		
Electrical Connection	Wires	
Life Expectancy	40000	h at 40 °C
	40000	h at 104 °F
Fan Noise	32/36	dB(A)
Cable Length	300	mm
	11.81	in
Fixing System	Screws	
ENVIRONMENTAL AND THERMAL DATA		
IP Protection Degree	IP55	
Operating Temperature	-40÷70	°C
	-40÷158	°F
Storage Temperature	-40÷80	°C
	-40÷176	°F

Image is for illustrative purpose only. All specifications, data and drawing are subject to change without notice. Please refer to our terms of sales including our warranty and limited liabilities clauses.

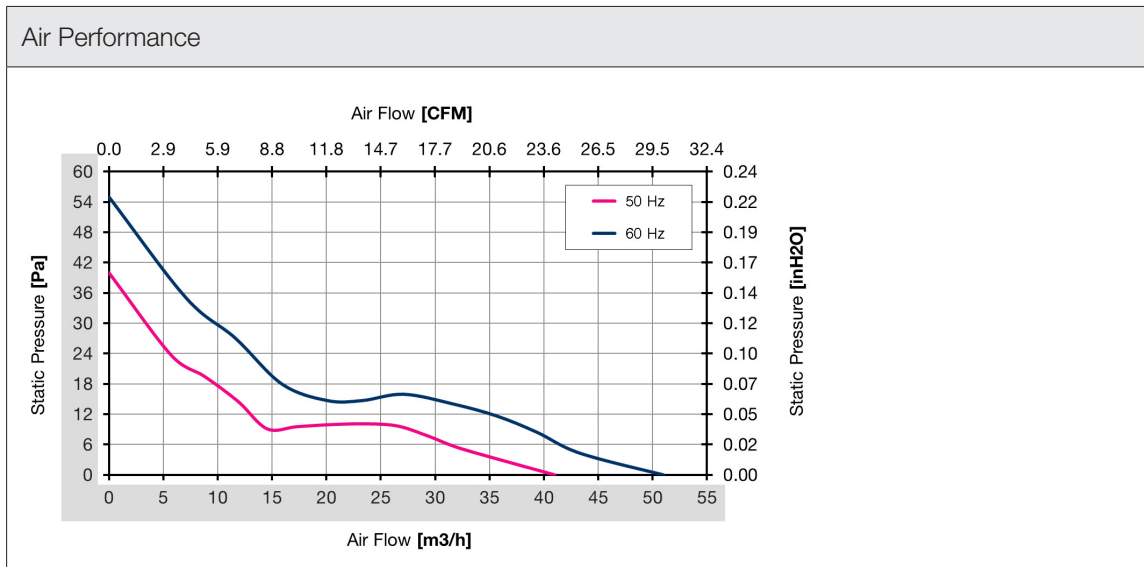
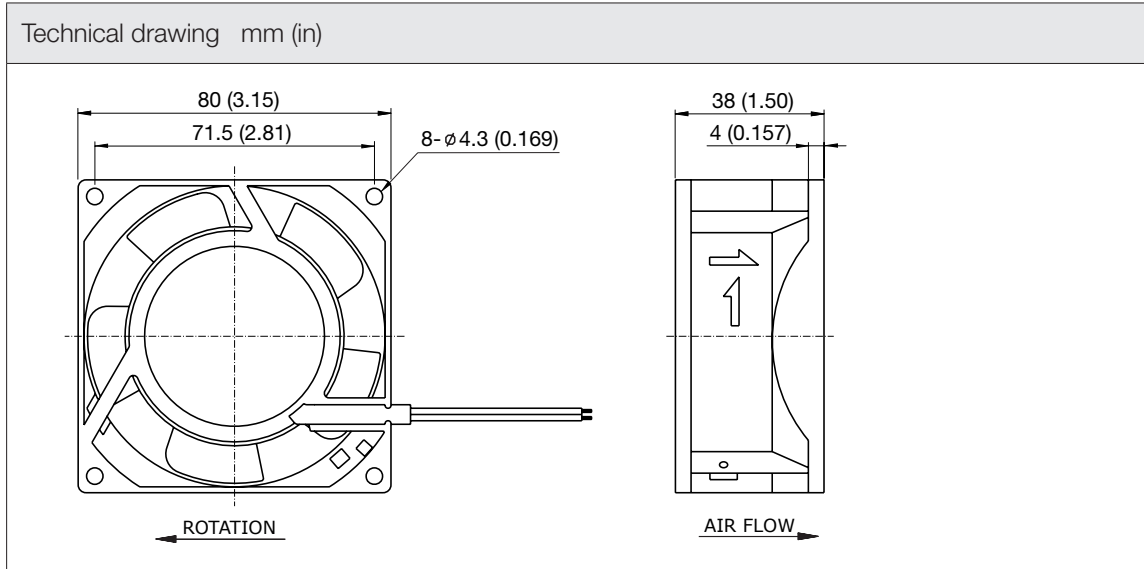


Image is for illustrative purpose only. All specifications, data and drawing are subject to change without notice. Please refer to our terms of sales including our warranty and limited liabilities clauses.