



An EC fan (stand for Electronically Commutated) is a brushless, direct current, motor. This runs on a DC voltage, but with a single phase AC supply. Thanks an electronic PCB board included in the stator, single phase AC voltage is transformed into a direct voltage by an AC/DC converter. EC motors assure energy efficiency, quiet operation and high performances.

Technical data		
APPROVALS		
Approvals	CE; UKCA	
PERFORMANCE		
Max Airflow	64/68.5 38/40	m <sup>3</sup> /h CFM
Max Static Pressure	46/53 0.18/0.21	Pa in H <sub>2</sub> O
RPM	2800/3000	RPM
ELECTRICAL DATA		
Rated Voltage	115	V a.c.
Rated Current	0.06/0.06	A
Rated Power	5/5	W
Operating Voltage	80-132	V a.c.
Frequency	50/60	Hz
Appliance Class	II	
Motor Protection	Impedance Protected	
MECHANICAL DATA		
Bearing	Ball Bearing	
GENERIC DATA		
Casing Material	Plastic UL94-V0	
Airflow Direction	Air exhaust over brackets	
Electrical Connection	Wires	

Image is for illustrative purpose only. All specifications, data and drawing are subject to change without notice. Please refer to our terms of sales including our warranty and limited liabilities clauses.

E08B12HWBL00

AC axial fans

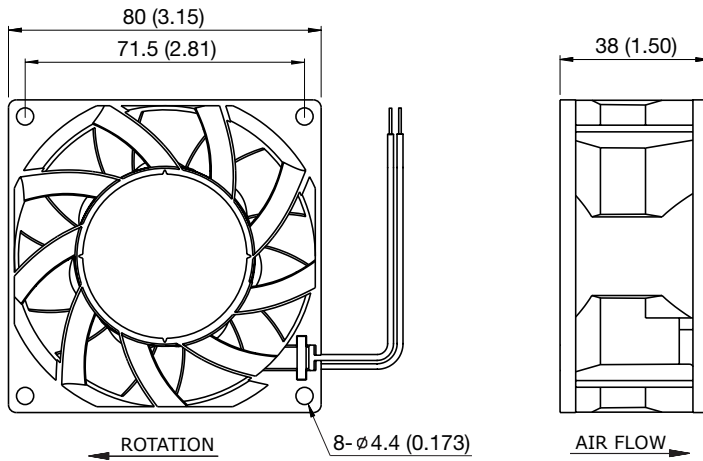
> CONTACT US

VENTILATION SYSTEMS

Technical data		
Life Expectancy	50000	h at 25 °C
	50000	h at 77 °F
Fan Noise	35/37	dB(A)
Cable Length	300	mm
	11.81	in
Fixing System	Screws	
ENVIRONMENTAL AND THERMAL DATA		
IP Protection Degree	IP20	
Operating Temperature	-10÷70	°C
	14÷158	°F
Storage Temperature	-40÷80	°C
	-40÷176	°F

Image is for illustrative purpose only. All specifications, data and drawing are subject to change without notice. Please refer to our terms of sales including our warranty and limited liabilities clauses.

Technical drawing mm (in)



Air Performance

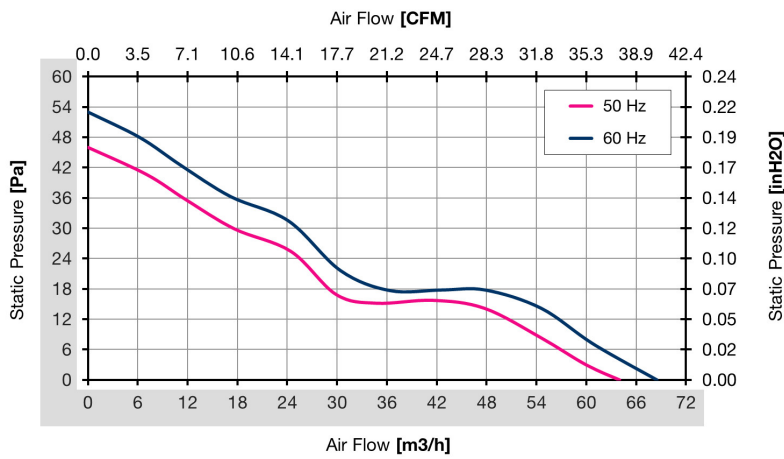


Image is for illustrative purpose only. All specifications, data and drawing are subject to change without notice. Please refer to our terms of sales including our warranty and limited liabilities clauses.